

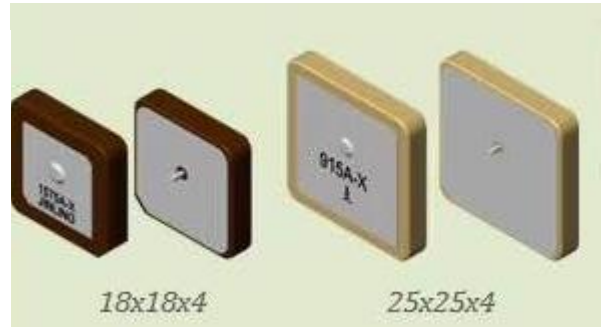
# 922.5Mhz Patch Antenna

JWC offers 3 different ceramic patch antenna structures in the 902MHz - 928MHz band. single feed patch, dual feed patch and surface mount antennas.

## 1. Single feed Antenna:

JWC offers a variety of single feed patch antennas from 15mmX15mm to 78.5mmX78.5mm.

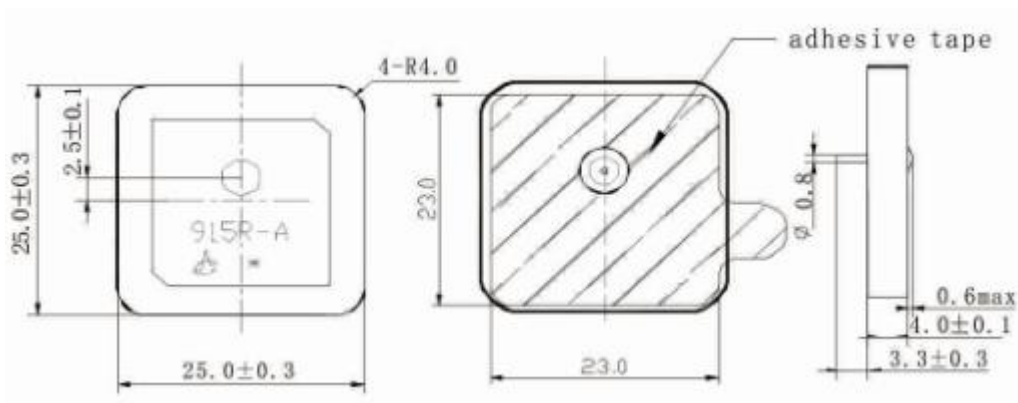
Customized size can be accomplished per customer request.



Part Number	Size (mm)	Frequency (MHz)	SWR@922.5MHz
JSAF922.5R7880A	78.5X78.5	920-925	< 2.0
JSAF922.5R6150A	61.5X61.5	920-925	< 2.0
JSAF922.5R4060A	40X40	920-925	< 2.0
JSAF922.5R3540A	35X35	920-925	< 2.0
JSAF922.5X3030H	30X30	920-925	< 2:1
JSAF922.5R2540J	25X25	920-925	< 2.0
JSAF922.5R1840G	18X18	920-925	< 2:1

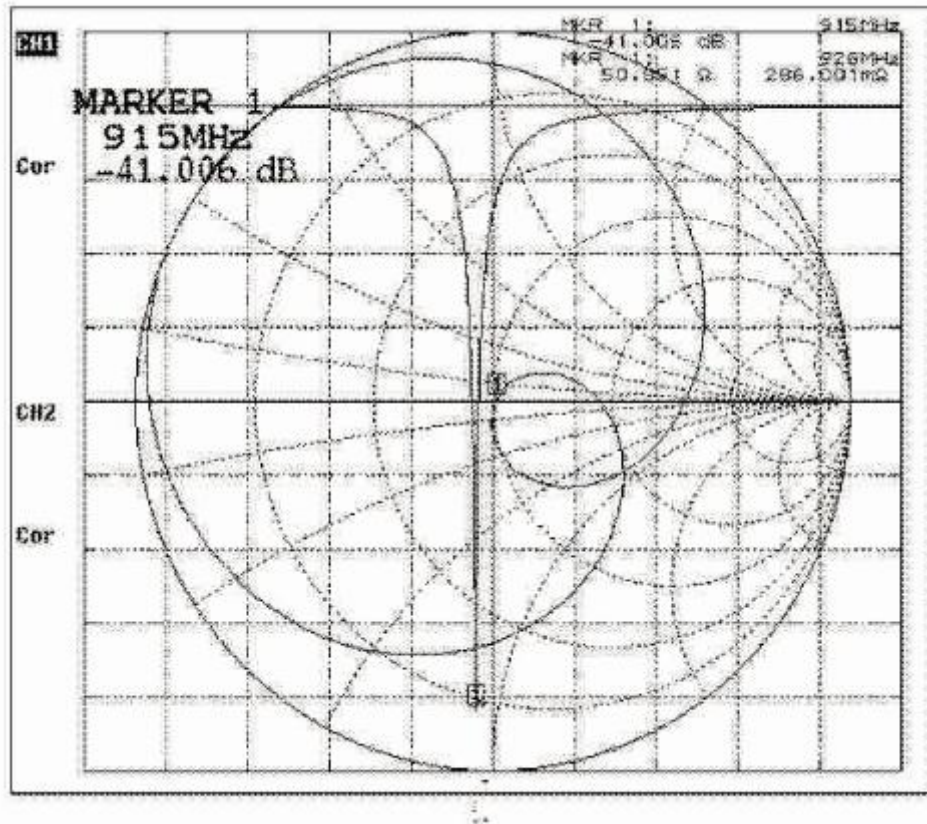
### 1.1. JSAF922.5R6150A Specification

#### Mechanical Drawing



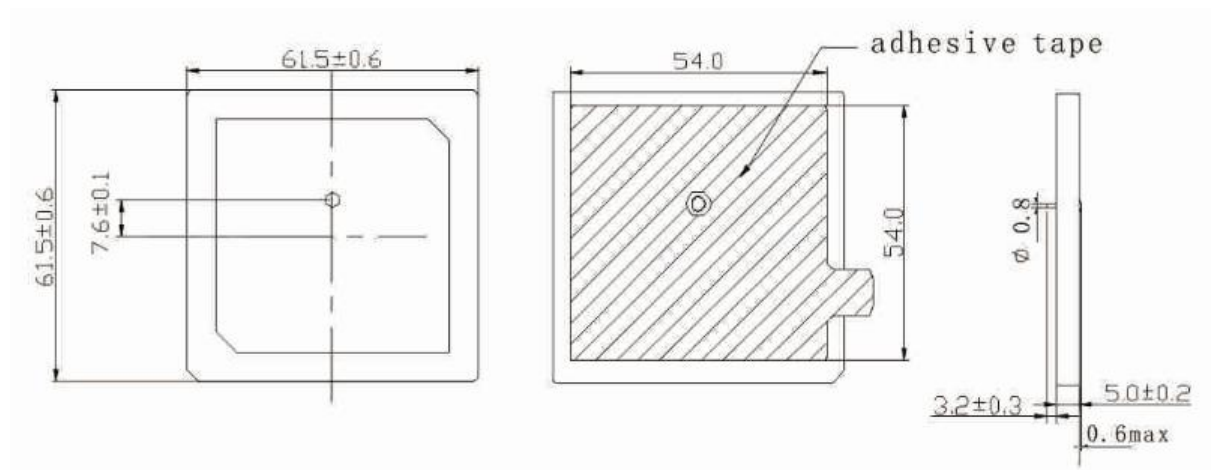
# 922.5Mhz Patch Antenna

Electrical Specification:



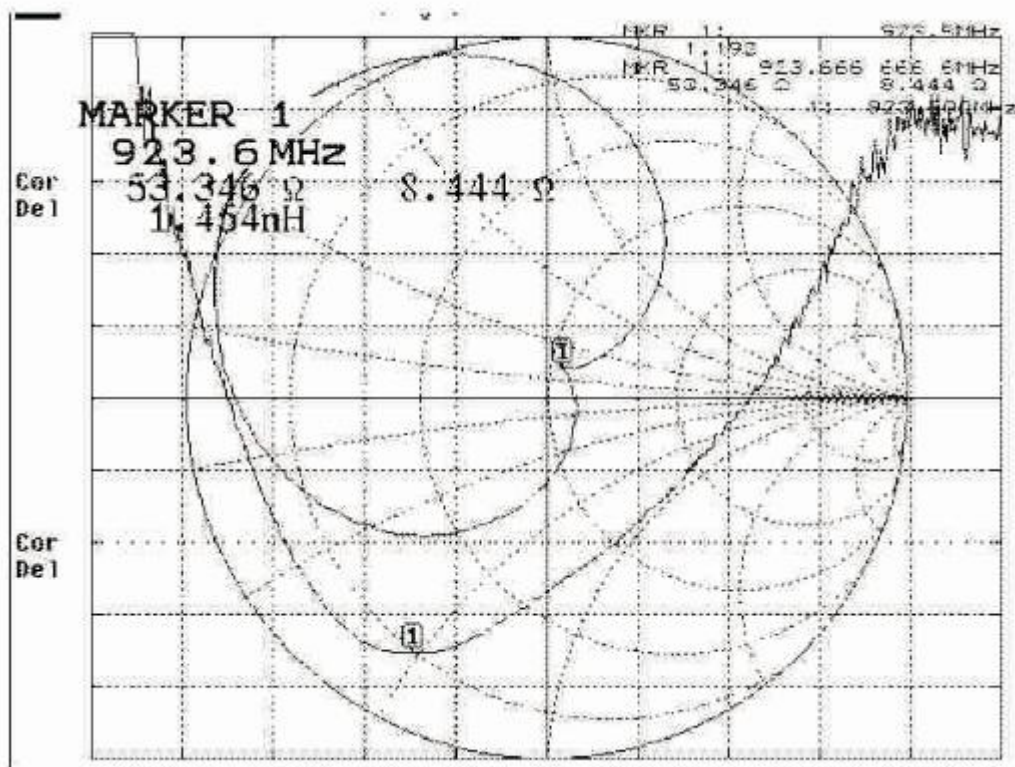
## 1.2.JSAF922.5R6150A Specification

Mechanical Drawing



# 922.5Mhz Patch Antenna

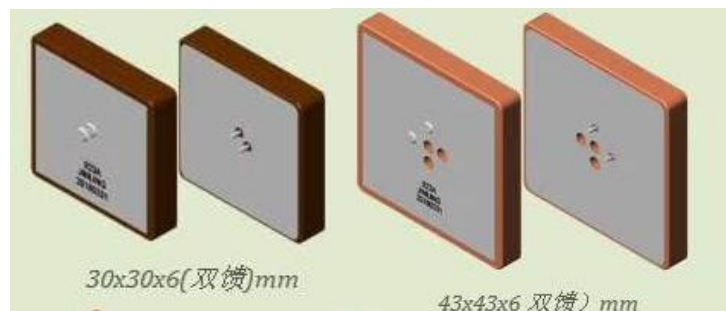
Electrical Specification:



## 2. Dual Feed Antenna

Dual feed antenna size ranges from 30mmX30mm to 60mmX60mm.

Dual Feed Antenna maintains the same performance as the single feed antenna provided that the input impedance is matched to 50 Ohm

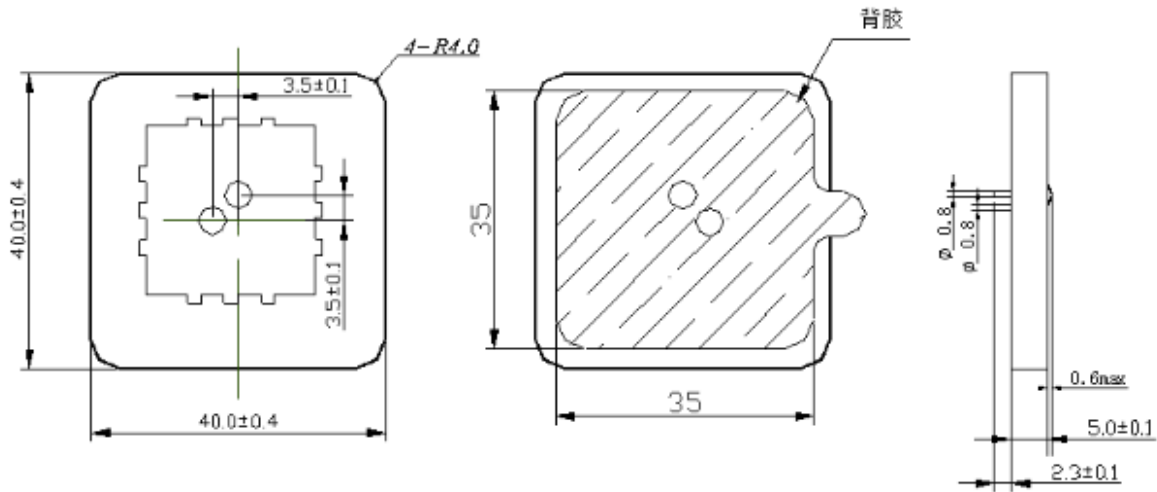


Part Number	Size (mm)	Frequency (MHz)	SWR@922.5Mhz
JDAE922.5X6060	60X60	920-925	< 2:1
JDAE922.5X4040	40X40	920-925	< 2:1
JDAE922.5X3535	35X35	920-925	< 2:1

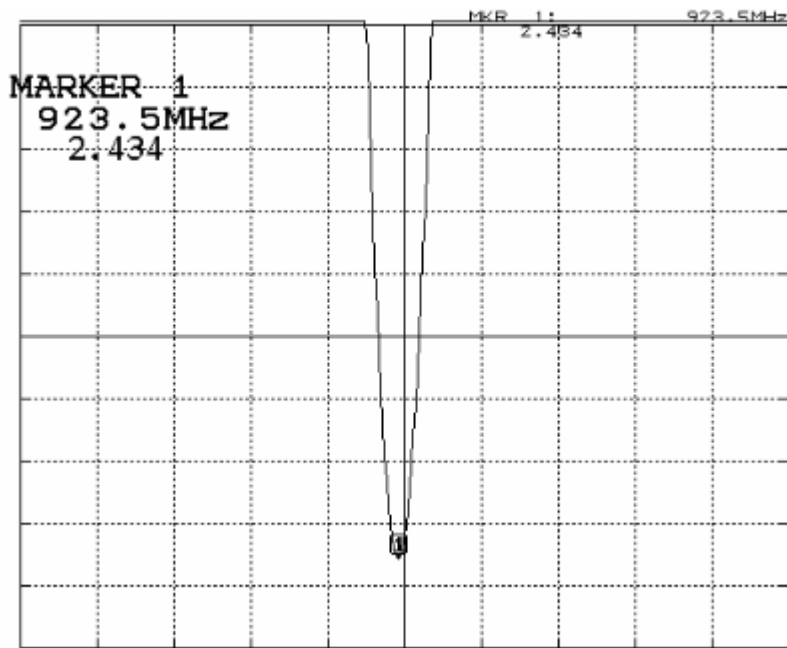
# 922.5Mhz Patch Antenna

2.1.JDAE922.5X4040

## Mechanical Drawing



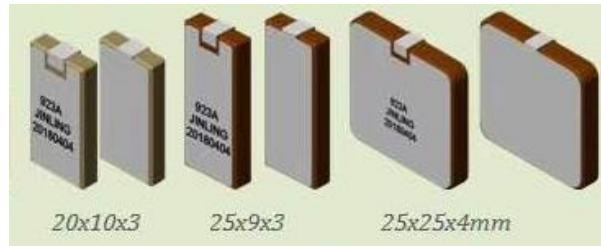
## Electrical Specification



# 922.5Mhz Patch Antenna

## 3. Surface Mount Antenna

Surface Mount Antenna can reduce the manufacturing cost while maintain the similar performance as the through hole counterpart. The surface mount version size ranges from 20mm X 10mm to 30mm X 30mm.



Customized size can be accomplished per customer request.

Part Number	Size (mm)	Frequency (MHz)	SWR@922.5Mhz
JDAF922.5X3030H	30x30	920-925	< 2:1
JDAF922.5X2525H	25x25	920-925	< 2:1
JDAF922.5X2509H	25x9	920-925	< 2:1
JDAF922.5X1818M	18x18	920-925	< 2:1
JDAF922.5X2010M	20x10	920-925	< 2:1
JDAF922.5X1309M	13x9	920-925	< 2:1