

# SMD POWER INDUCTOR

# WSPD4D28 Series

## FEATURES/APPLICATIONS

- Carrier tape packing use for SMT.
- Small footprint.
- Magnetically shielded construction.
- Suitable for reflow SMT Craft soldering.
- Lead free products, RoHS compliant.
- Widely use in Digital products & Scanner/DC-DC converter/Power supply for VTP/LCD monitor / portable terminal equipment/Telecommunications / Notebook and PC Peripheral equipments etc.

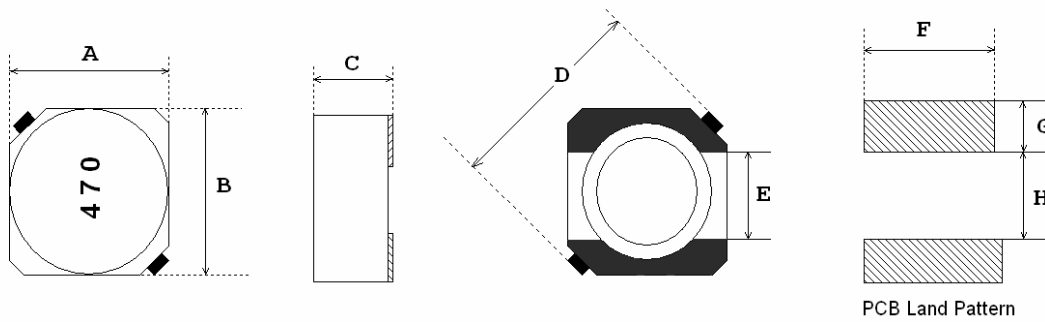
## Electrical Characteristics

Part Number	Test Condition	Inductance (uH)	Tolerance	DCR(mΩ) (max)	Rated Current (A) (max)
WSPD4D28-1R0M	100Khz/0.1V	1.0	+/- 10%	25	2.10
WSPD4D28-2R2M	100Khz/0.1V	2.2	+/- 10%	31	2.04
WSPD4D28-3R3M	100Khz/0.1V	3.3	+/- 10%	54	1.32
WSPD4D28-5R0M	100Khz/0.1V	5.0	+/- 10%	58	1.17
WSPD4D28-6R8M	100Khz/0.1V	6.8	+/- 10%	70	1.10
WSPD4D28-8R7M	100Khz/0.1V	8.7	+/- 10%	95	1.04
WSPD4D28-100M	100Khz/0.1V	10	+/- 10%	128	1.00
WSPD4D28-120M	100Khz/0.1V	12	+/- 10%	142	0.90
WSPD4D28-150M	100Khz/0.1V	15	+/- 10%	165	0.76
WSPD4D28-180M	100Khz/0.1V	18	+/- 10%	210	0.73
WSPD4D28-220M	100Khz/0.1V	22	+/- 10%	238	0.70
WSPD4D28-270M	100Khz/0.1V	27	+/- 10%	227	0.68
WSPD4D28-330M	100Khz/0.1V	33	+/- 10%	304	0.60
WSPD4D28-390M	100Khz/0.1V	39	+/- 10%	390	0.51
WSPD4D28-470M	100Khz/0.1V	47	+/- 10%	535	0.48
WSPD4D28-560M	100Khz/0.1V	56	+/- 10%	624	0.41
WSPD4D28-680M	100Khz/0.1V	68	+/- 10%	699	0.35
WSPD4D28-820M	100Khz/0.1V	82	+/- 10%	914	0.32
WSPD4D28-101M	100Khz/0.1V	100	+/- 10%	1020	0.29

### Note:

1. Inductance Measurement: HP4280A/CH1062A or LCR equivalent meter.
2. Resistance Measurement: TH2512B or DCR test equipment equivalent.
3. Rated Current Test Condition: Inductance drop by 25% or temperature rise by 40 °C, whichever reaches first.
4. Operating temperature: -40 °C - +125°C
5. Storage temperature: -40 °C - +125°C
6. Humidity: RH65% - 85%

**SHAPE and DIMENSIONS (Unit: mm)**



A	B	C	D	E	F	G	H
4.5 ± 0.3	4.5 ± 0.3	3.0 (max)	6.9(max)	1.5	5.3	1.9	1.5