

SMD POWER INDUCTOR

WSPD5D18 Series

FEATURES/APPLICATIONS

- Carrier tape packing use for SMT.
- Small Footprint
- Magnetically shielded construction.
- Suitable for reflow SMT Craft soldering.
- Lead free products, RoHS compliant.
- Widely use in Digital products & Scanner/DC-DC converter/Power supply for VTP/LCD monitor / portable terminal equipment/Telecommunications / Notebook and PC Peripheral equipments etc.

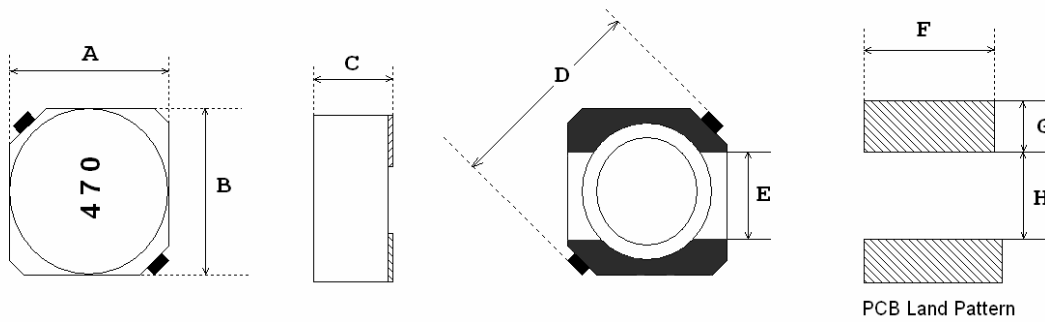
Electrical Characteristics

Part Number	Test Condition	Inductance (uH)	Tolerance	DCR(mΩ) (max)	Rated Current (A) (max)
WSPD5D18-3R3M	100Khz/0.1V	3.3	+/- 10%	24	1.90
WSPD5D18-5R0M	100Khz/0.1V	5.0	+/- 10%	31	1.70
WSPD5D18-6R2M	100Khz/0.1V	6.2	+/- 10%	35	1.50
WSPD5D18-6R8M	100Khz/0.1V	6.8	+/- 10%	40	1.40
WSPD5D18-7R4M	100Khz/0.1V	7.4	+/- 10%	54	1.35
WSPD5D18-8R7M	100Khz/0.1V	8.7	+/- 10%	58	1.25
WSPD5D18-100M	100Khz/0.1V	10	+/- 10%	65	1.20
WSPD5D18-120M	100Khz/0.1V	12	+/- 10%	70	1.10
WSPD5D18-150M	100Khz/0.1V	15	+/- 10%	84	0.90
WSPD5D18-180M	100Khz/0.1V	18	+/- 10%	95	0.85
WSPD5D18-220M	100Khz/0.1V	22	+/- 10%	128	0.77
WSPD5D18-270M	100Khz/0.1V	27	+/- 10%	142	0.66
WSPD5D18-330M	100Khz/0.1V	33	+/- 10%	165	0.60
WSPD5D18-390M	100Khz/0.1V	39	+/- 10%	210	0.53
WSPD5D18-470M	100Khz/0.1V	47	+/- 10%	238	0.45
WSPD5D18-560M	100Khz/0.1V	56	+/- 10%	227	0.40
WSPD5D18-560M	100Khz/0.1V	68	+/- 10%	304	0.38
WSPD5D18-820M	100Khz/0.1V	82	+/- 10%	390	0.36
WSPD5D18-101M	100Khz/0.1V	100	+/- 10%	535	0.35

Note:

1. Inductance Measurement: HP4280A/CH1062A or LCR equivalent meter.
2. Resistance Measurement: TH2512B or DCR test equipment equivalent.
3. Rated Current Test Condition: Inductance drop by 25% or temperature rise by 40 °C, whichever reaches first.
4. Operating temperature: -40 °C - +125°C
5. Storage temperature: -40 °C - +125°C
6. Humidity: RH65% - 85%

SHAPE and DIMENSIONS (Unit: mm)



A	B	C	D	E	F	G	H
5.5 ± 0.3	5.5 ± 0.3	2.0 (max)	8.2(max)	2.0	6.3	2.15	2.0