

SMD POWER INDUCTOR

WSPD6D28 Series

FEATURES/APPLICATIONS

- Carrier tape packing use for SMT.
- Small Footprint
- Magnetically shielded construction.
- Suitable for reflow SMT Craft soldering.
- Lead free products, RoHS compliant.
- Widely use in Digital products & Scanner/DC-DC converter/Power supply for VTP/LCD monitor / portable terminal equipment/Telecommunications / Notebook and PC Peripheral equipments etc.

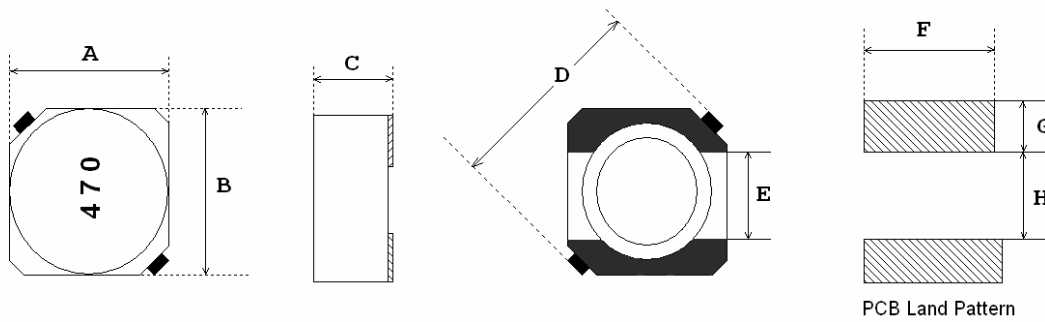
Electrical Characteristics

Part Number	Test Condition	Inductance (uH)	Tolerance	DCR(mΩ) (max)	Rated Current (A) (max)
WSPD6D28-3R3M	100Khz/0.1V	3.3	+/- 10%	24	2.80
WSPD6D28-5R0M	100Khz/0.1V	5.0	+/- 10%	31	2.40
WSPD6D28-6R2M	100Khz/0.1V	6.2	+/- 10%	35	2.28
WSPD6D28-6R8M	100Khz/0.1V	6.8	+/- 10%	40	2.10
WSPD6D28-7R4M	100Khz/0.1V	7.4	+/- 10%	54	1.85
WSPD6D28-8R7M	100Khz/0.1V	8.7	+/- 10%	58	1.70
WSPD6D28-100M	100Khz/0.1V	10	+/- 10%	65	1.55
WSPD6D28-120M	100Khz/0.1V	12	+/- 10%	70	1.40
WSPD6D28-150M	100Khz/0.1V	15	+/- 10%	84	1.32
WSPD6D28-180M	100Khz/0.1V	18	+/- 10%	95	1.20
WSPD6D28-220M	100Khz/0.1V	22	+/- 10%	128	1.15
WSPD6D28-270M	100Khz/0.1V	27	+/- 10%	142	1.05
WSPD6D28-330M	100Khz/0.1V	33	+/- 10%	165	0.97
WSPD6D28-390M	100Khz/0.1V	39	+/- 10%	210	0.86
WSPD6D28-470M	100Khz/0.1V	47	+/- 10%	238	0.80
WSPD6D28-560M	100Khz/0.1V	56	+/- 10%	227	0.73
WSPD6D28-680M	100Khz/0.1V	68	+/- 10%	304	0.65
WSPD6D28-820M	100Khz/0.1V	82	+/- 10%	390	0.55
WSPD6D28-101M	100Khz/0.1V	100	+/- 10%	535	0.53
WSPD6D28-121M	100Khz/0.1V	120	+/- 10%	470	0.50
WSPD6D28-151M	100Khz/0.1V	150	+/- 10%	580	0.45

Note:

1. Inductance Measurement: HP4280A/CH1062A or LCR equivalent meter.
2. Resistance Measurement: TH2512B or DCR test equipment equivalent.
3. Rated Current Test Condition: Inductance drop by 25% or temperature rise by 40 °C, whichever reaches first.
4. Operating temperature: -40 °C - +125°C
5. Storage temperature: -40 °C - +125
6. Humidity: RH65% - 85%

SHAPE and DIMENSIONS (Unit: mm)



A	B	C	D	E	F	G	H
6.5 ± 0.3	6.5 ± 0.3	3.0 (max)	9.5(max)	2.0	7.3	2.65	2.0