

**FEATURES/APPLICATIONS**

- Carrier tape packing use for SMT.
- Small footprint
- Magnetically shielded construction.
- Suitable for reflow SMT Craft soldering.
- Lead free products, RoHS compliant.
- Widely use in Digital products & Scanner/DC-DC converter/Power supply for VTP/LCD monitor / portable terminal equipment/Telecommunications / Notebook and PC Peripheral equipments etc.

**Electrical Characteristics**

Part Number	Test Condition	Inductance (uH)	Tolerance	DCR(mΩ) (max)	Rated Current (A) (max)
WSPD6D38-2R2M	100Khz/0.1V	2.2	+/- 10%	15	3.50
WSPD6D38-3R3M	100Khz/0.1V	3.3	+/- 10%	24	3.00
WSPD6D38-5R0M	100Khz/0.1V	5.0	+/- 10%	31	2.40
WSPD6D38-6R2M	100Khz/0.1V	6.2	+/- 10%	35	2.25
WSPD6D38-6R8M	100Khz/0.1V	6.8	+/- 10%	40	2.18
WSPD6D38-7R4M	100Khz/0.1V	7.4	+/- 10%	54	2.10
WSPD6D38-8R7M	100Khz/0.1V	8.7	+/- 10%	58	1.85
WSPD6D38-100M	100Khz/0.1V	10	+/- 10%	65	1.70
WSPD6D38-120M	100Khz/0.1V	12	+/- 10%	70	1.55
WSPD6D38-150M	100Khz/0.1V	15	+/- 10%	84	1.40
WSPD6D38-180M	100Khz/0.1V	18	+/- 10%	95	1.32
WSPD6D38-220M	100Khz/0.1V	22	+/- 10%	128	1.20
WSPD6D38-270M	100Khz/0.1V	27	+/- 10%	142	1.05
WSPD6D38-330M	100Khz/0.1V	33	+/- 10%	165	0.97
WSPD6D38-390M	100Khz/0.1V	39	+/- 10%	210	0.86
WSPD6D38-470M	100Khz/0.1V	47	+/- 10%	238	0.80
WSPD6D38-560M	100Khz/0.1V	56	+/- 10%	227	0.73
WSPD6D38-680M	100Khz/0.1V	68	+/- 10%	304	0.65
WSPD6D38-820M	100Khz/0.1V	82	+/- 10%	390	0.60
WSPD6D38-101M	100Khz/0.1V	100	+/- 10%	535	0.55
WSPD6D38-121M	100Khz/0.1V	120	+/- 10%	470	0.53
WSPD6D38-151M	100Khz/0.1V	150	+/- 10%	580	0.50
WSPD6D38-181M	100Khz/0.1V	180	+/- 10%	690	0.45
WSPD6D38-221M	100Khz/0.1V	220	+/- 10%	890	0.43
WSPD6D38-271M	100Khz/0.1V	270	+/- 10%	1290	0.40
WSPD6D38-331M	100Khz/0.1V	330	+/- 10%	1700	0.37
WSPD6D38-391M	100Khz/0.1V	390	+/- 10%	1750	0.34
WSPD6D38-471M	100Khz/0.1V	470	+/- 10%	2200	0.32
WSPD6D38-561M	100Khz/0.1V	560	+/- 10%	2850	0.29

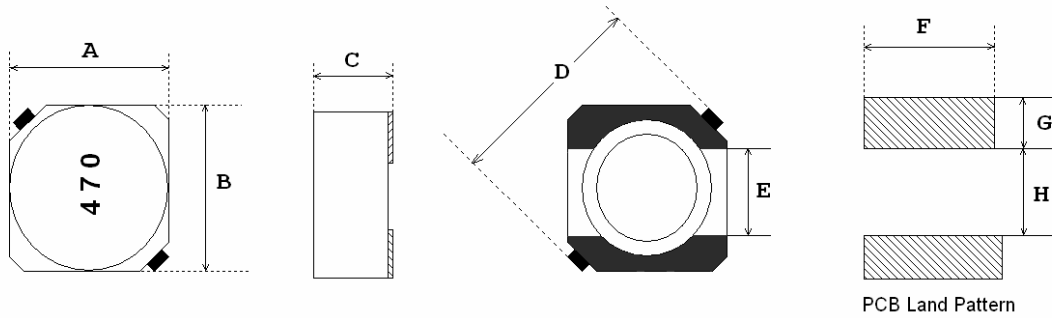
**Note:**

1. Inductance Measurement: HP4280A/CH1062A or LCR equivalent meter.
2. Resistance Measurement: TH2512B or DCR test equipment equivalent.
3. Rated Current Test Condition: Inductance drop by 25% or temperature rise by 40 °C, whichever reaches first.
4. Operating temperature: -40 °C - +125°C
5. Storage temperature: -40 °C - +125°C
6. Humidity: RH65% - 85%

# SMD POWER INDUCTOR

# WSPD6D38 Series

## SHAPE and DIMENSIONS (Unit: mm)



A	B	C	D	E	F	G	H
6.5 ± 0.3	6.5 ± 0.3	4.0 (max)	9.5(max)	2.0	7.3	2.65	2.0