

# SMD POWER INDUCTOR

# WSPRH127 Series

## FEATURES/APPLICATIONS

- Carrier tape packing use for SMT.
- Small footprint
- Magnetically shielded construction.
- Suitable for reflow SMT Craft soldering.
- Lead free products, RoHS compliant.
- Widely use in Digital products & Scanner/DC-DC converter/Power supply for VTP/LCD monitor / portable terminal equipment/Telecommunications / Notebook and PC Peripheral equipments etc.

## ELECTRICAL CHARACTERISTICS

Part Number	Test Condition	Inductance (uH)	Tolerance	DCR(mΩ) (max)	Rated Current (A) (max)
WSPRH127-1R2M	100Khz/0.1V	1.2	+/- 10%	7	9.80
WSPRH127-2R4M	100Khz/0.1V	2.4	+/- 10%	12	8.20
WSPRH127-3R5M	100Khz/0.1V	3.5	+/- 10%	14	7.50
WSPRH127-4R7M	100Khz/0.1V	4.7	+/- 10%	16	6.80
WSPRH127-5R6M	100Khz/0.1V	5.6	+/- 10%	18	6.60
WSPRH127-6R8M	100Khz/0.1V	6.8	+/- 10%	20	6.10
WSPRH127-7R4M	100Khz/0.1V	7.4	+/- 10%	25	5.90
WSPRH127-8R7M	100Khz/0.1V	8.7	+/- 10%	27	5.70
WSPRH127-100M	100Khz/0.1V	10	+/- 10%	27	5.40
WSPRH127-120M	100Khz/0.1V	12	+/- 10%	28	4.90
WSPRH127-150M	100Khz/0.1V	15	+/- 10%	30	4.50
WSPRH127-180M	100Khz/0.1V	18	+/- 10%	38	3.70
WSPRH127-220M	100Khz/0.1V	22	+/- 10%	50	3.55
WSPRH127-270M	100Khz/0.1V	27	+/- 10%	54	3.35
WSPRH127-330M	100Khz/0.1V	33	+/- 10%	58	3.05
WSPRH127-390M	100Khz/0.1V	39	+/- 10%	65	2.80
WSPRH127-470M	100Khz/0.1V	47	+/- 10%	70	2.50
WSPRH127-560M	100Khz/0.1V	56	+/- 10%	84	2.35
WSPRH127-680M	100Khz/0.1V	68	+/- 10%	95	2.10
WSPRH127-820M	100Khz/0.1V	82	+/- 10%	128	1.95
WSPRH127-101M	100Khz/0.1V	100	+/- 10%	142	1.70
WSPRH127-121M	100Khz/0.1V	120	+/- 10%	165	1.60
WSPRH127-151M	100Khz/0.1V	150	+/- 10%	210	1.42
WSPRH127-181M	100Khz/0.1V	180	+/- 10%	238	1.30
WSPRH127-221M	100Khz/0.1V	220	+/- 10%	227	1.16
WSPRH127-271M	100Khz/0.1V	270	+/- 10%	304	1.06
WSPRH127-331M	100Khz/0.1V	330	+/- 10%	390	0.95
WSPRH127-391M	100Khz/0.1V	390	+/- 10%	535	0.88
WSPRH127-471M	100Khz/0.1V	470	+/- 10%	470	0.79
WSPRH127-561M	100Khz/0.1V	560	+/- 10%	580	0.73

Note:

1. Inductance Measurement: HP4280A/CH1062A or LCR equivalent meter.
2. Resistance Measurement: TH2512B or DCR test equipment equivalent.
3. Rated Current Test Condition: Inductance drop by 25% or temperature rise by 40 °C, whichever reaches first.
4. Operating temperature: -40 °C - +125°C
5. Storage temperature: -40 °C - +125°C
6. Humidity: RH65% - 85%

JWC Technology, Inc.

554 N. Frederick Ave. STE 190, Gaithersburg, MD 20877

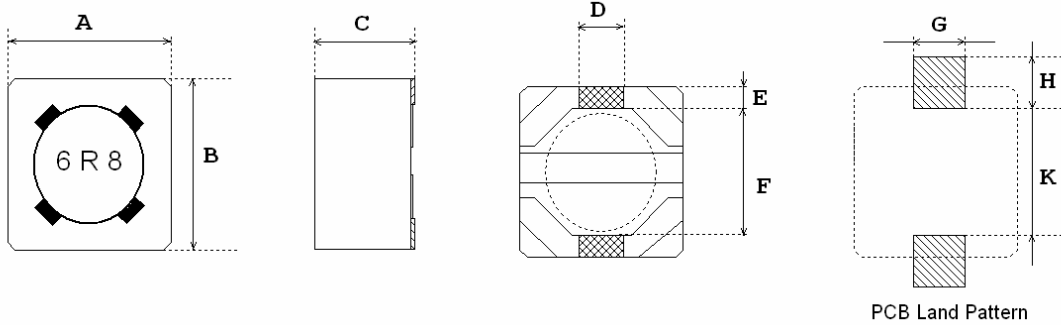
Phone: (571)278-5495

Fax: (301)519-8522

Email: [sales@jwctech.com](mailto:sales@jwctech.com)

[www.jwctech.com](http://www.jwctech.com)

**SHAPE and DIMENSIONS (Unit: mm)**



Dimensions	MM
A	12.0 ± 0.3
B	12.0 ± 0.3
C	8.0 (max)
D	5.0
E	2.5
F	7.0
G	5.5
H	3.0
K	7.0