

**FEATURES/APPLICATIONS**

- Carrier tape packing use for SMT.
- Small footprint
- Magnetically shielded construction.
- Suitable for reflow SMT Craft soldering.
- Lead free products, RoHS compliant.
- Widely use in Digital products & Scanner/DC-DC converter/Power supply for VTP/LCD monitor / portable terminal equipment/Telecommunications / Notebook and PC Peripheral equipments etc.

**ELECTRICAL CHARACTERISTICS**

Part Number	Test Condition	Inductance (uH)	Tolerance	DCR(mΩ) (max)	Rated Current (A) (max)
WSPRH74-1R0M	100Khz/0.1V	1.0	+/- 10%	7	7.0
WSPRH74-2R2M	100Khz/0.1V	2.2	+/- 10%	16	4.50
WSPRH74-3R3M	100Khz/0.1V	3.3	+/- 10%	20	4.00
WSPRH74-4R7M	100Khz/0.1V	4.7	+/- 10%	30	3.50
WSPRH74-5R6M	100Khz/0.1V	5.6	+/- 10%	38	3.00
WSPRH74-6R8M	100Khz/0.1V	6.8	+/- 10%	50	2.50
WSPRH74-7R4M	100Khz/0.1V	7.4	+/- 10%	54	2.30
WSPRH74-8R7M	100Khz/0.1V	8.7	+/- 10%	58	2.00
WSPRH74-100M	100Khz/0.1V	10	+/- 10%	65	1.84
WSPRH74-120M	100Khz/0.1V	12	+/- 10%	70	1.80
WSPRH74-150M	100Khz/0.1V	15	+/- 10%	84	1.71
WSPRH74-180M	100Khz/0.1V	18	+/- 10%	95	1.31
WSPRH74-220M	100Khz/0.1V	22	+/- 10%	128	1.23
WSPRH74-270M	100Khz/0.1V	27	+/- 10%	142	1.12
WSPRH74-330M	100Khz/0.1V	33	+/- 10%	165	0.98
WSPRH74-390M	100Khz/0.1V	39	+/- 10%	210	0.91
WSPRH74-470M	100Khz/0.1V	47	+/- 10%	238	0.88
WSPRH74-560M	100Khz/0.1V	56	+/- 10%	227	0.75
WSPRH74-680M	100Khz/0.1V	68	+/- 10%	304	0.69
WSPRH74-820M	100Khz/0.1V	82	+/- 10%	390	0.61
WSPRH74-101M	100Khz/0.1V	100	+/- 10%	535	0.60
WSPRH74-121M	100Khz/0.1V	120	+/- 10%	470	0.52
WSPRH74-151M	100Khz/0.1V	150	+/- 10%	580	0.46
WSPRH74-181M	100Khz/0.1V	180	+/- 10%	690	0.42
WSPRH74-221M	100Khz/0.1V	220	+/- 10%	890	0.36
WSPRH74-271M	100Khz/0.1V	270	+/- 10%	1290	0.34
WSPRH74-331M	100Khz/0.1V	330	+/- 10%	1700	0.32
WSPRH74-391M	100Khz/0.1V	390	+/- 10%	1750	0.29
WSPRH74-471M	100Khz/0.1V	470	+/- 10%	2200	0.26
WSPRH74-561M	100Khz/0.1V	560	+/- 10%	2850	0.23

**Note:**

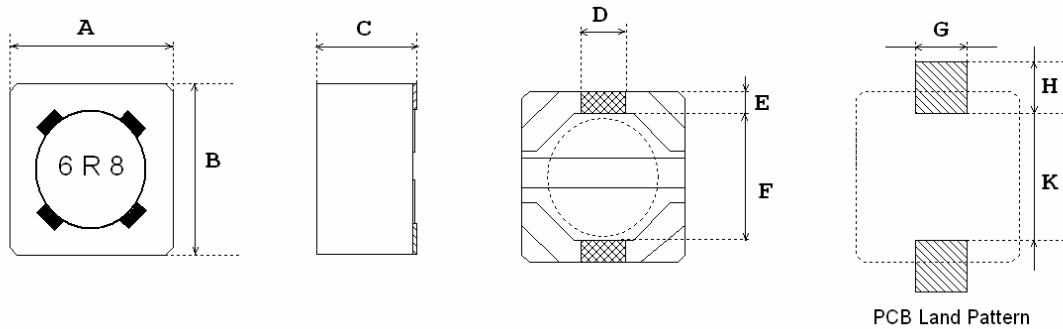
1. Inductance Measurement: HP4280A/CH1062A or LCR equivalent meter.
2. Resistance Measurement: TH2512B or DCR test equipment equivalent.
3. Rated Current Test Condition: Inductance drop by 25% or temperature rise by 40 °C, whichever reaches first.
4. Operating temperature: -40 °C - +125°C

# SMD POWER INDUCTOR

# WSPRH74 Series

- 5. Storage temperature: -40 °C - +125°C
- 6. Humidity: RH65% - 85%

## SHAPE and DIMENSIONS (Unit: mm)



Dimensions	MM
A	7.3 ± 0.3
B	7.3 ± 0.3
C	4.5 (max)
D	2.0
E	1.0
F	5.0
G	2.5
H	2.5
K	4.6