

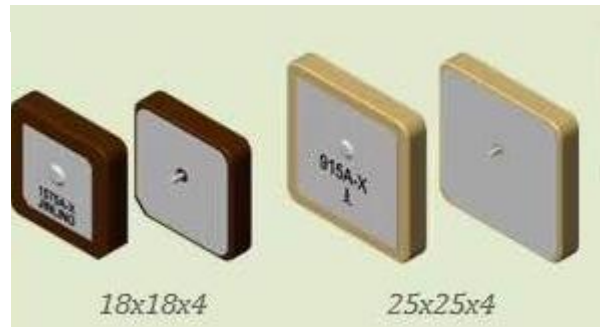
915Mhz Patch Antenna

JWC offers 3 different ceramic patch antenna structures in the 902MHz - 928MHz band. single feed patch, dual feed patch and surface mount antennas.

1. Single feed Antenna:

JWC offers a variety of single feed patch antennas from 15mmX15mm to 78.5mmX78.5mm.

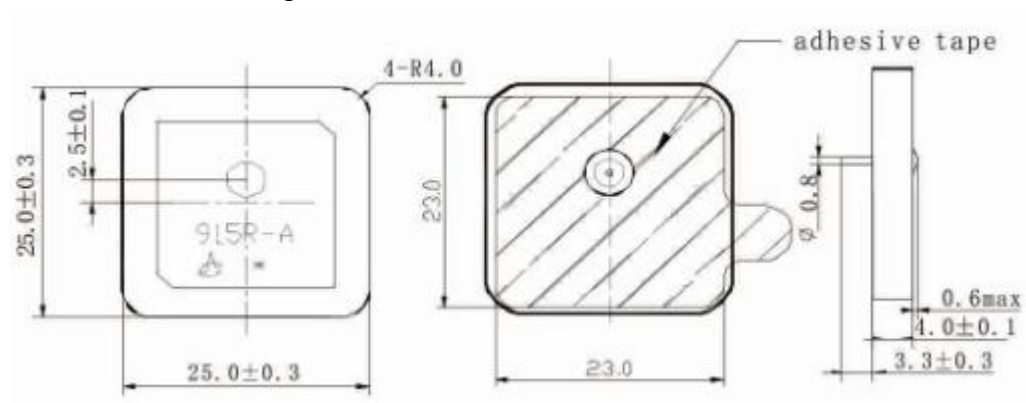
Customized size can be accomplished per customer request.



Part Number	Size (mm)	Frequency (MHz)	SWR@915MHz
JSAF915R7880A	78.5X78.5	902-915	< 2.0
JSAF915R6150A	61.5X61.5	902-915	< 2.0
JSAF915R4060A	40X40	902-928	< 2.0
JSAF915R3540A	35X35	902-928	< 2.0
JSAF915X3030H	30X30	902-928	< 2:1
JSAF915R2540J	25X25	902-928	< 2.0
JSAF915R1840G	18X18	902-928	< 2:1

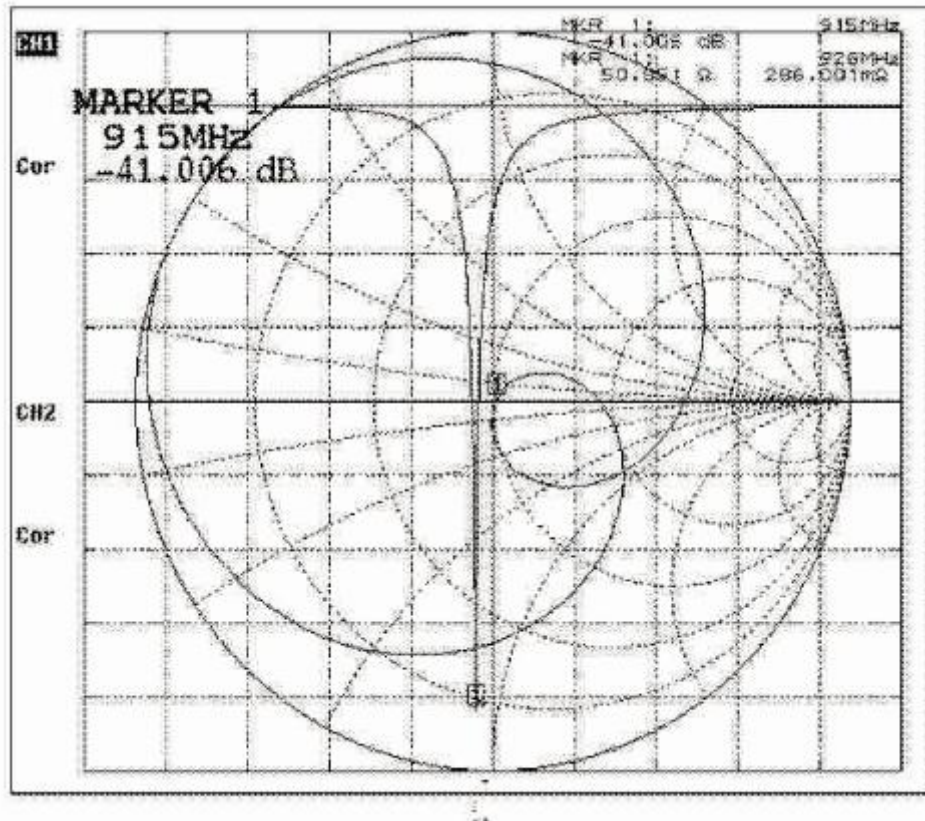
1.1. JSAF915R6150A Specification

Mechanical Drawing



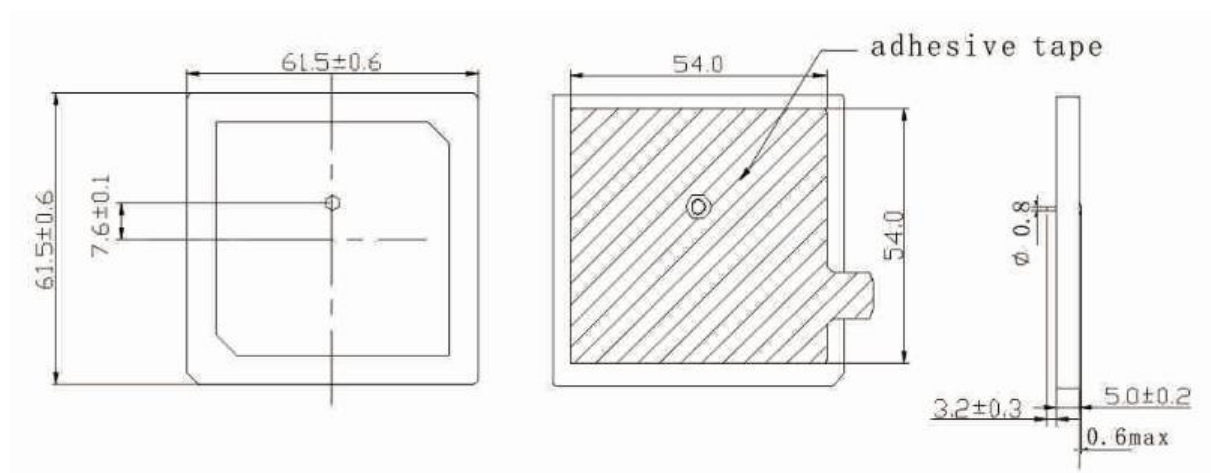
915Mhz Patch Antenna

Electrical Specification:



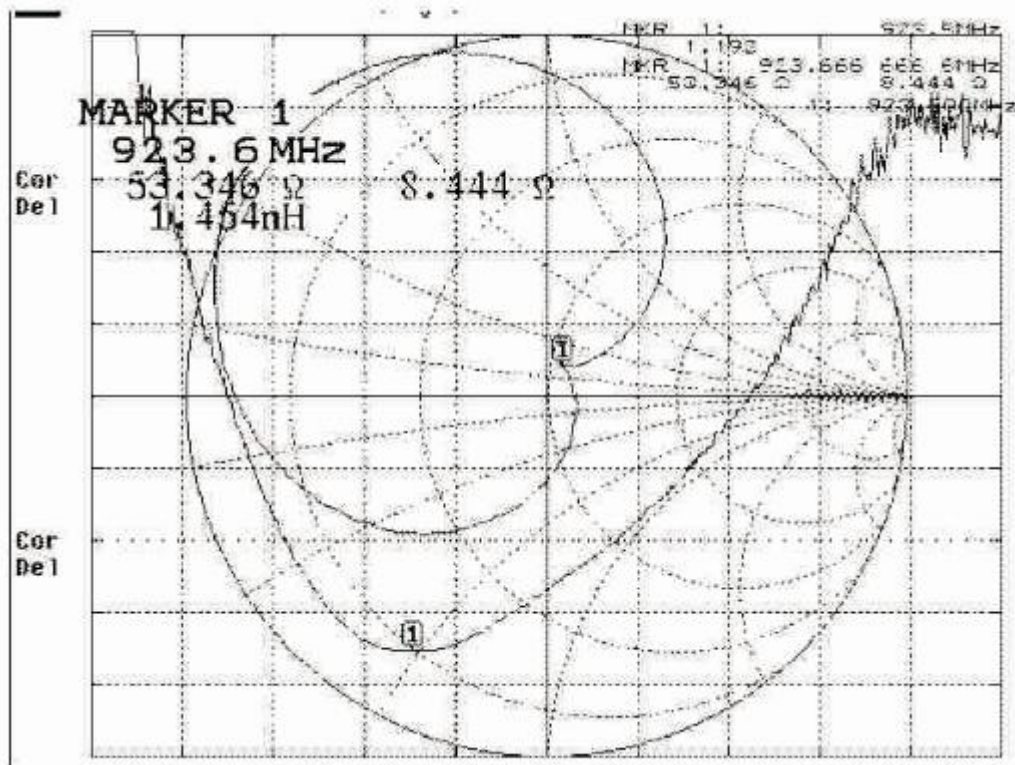
1.2.JSAF915R6150A Specification

Mechanical Drawing



915Mhz Patch Antenna

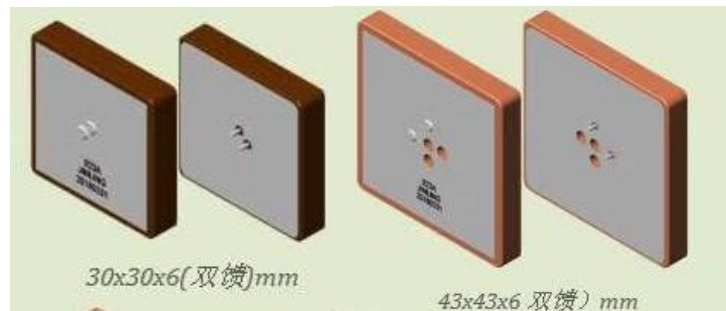
Electrical Specification:



2. Dual Feed Antenna

Dual feed antenna size ranges from 30mmX30mm to 60mmX60mm.

Dual Feed Antenna maintains the same performance as the single feed antenna provided that the input impedance is matched to 50 Ohm

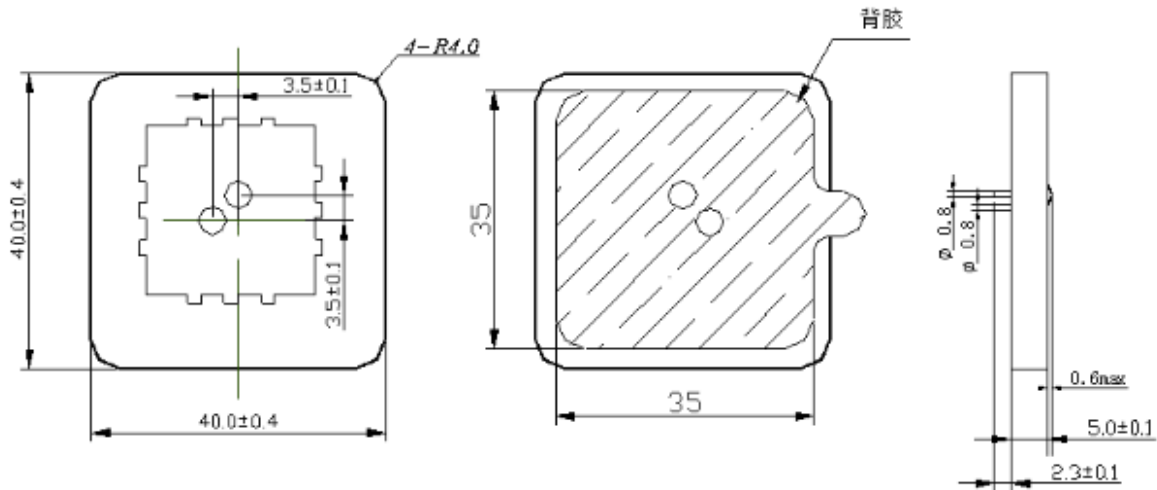


Part Number	Size (mm)	Frequency (MHz)	SWR@915Mhz
JDAE915X6060	60X60	902-928	< 2:1
JDAE915X4040	40X40	902-928	< 2:1
JDAE915X3535	35X35	902-928	< 2:1

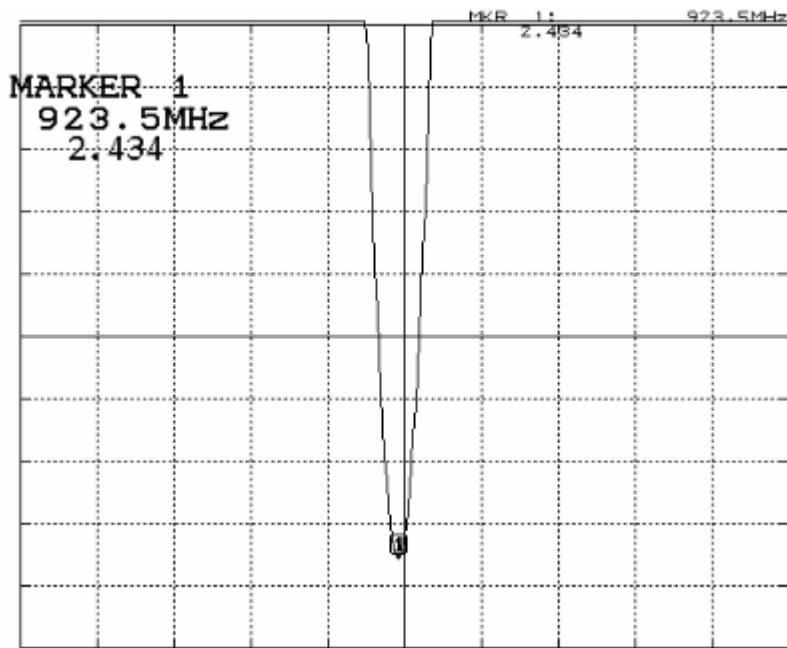
915Mhz Patch Antenna

2.1.JDAE915X4040

Mechanical Drawing



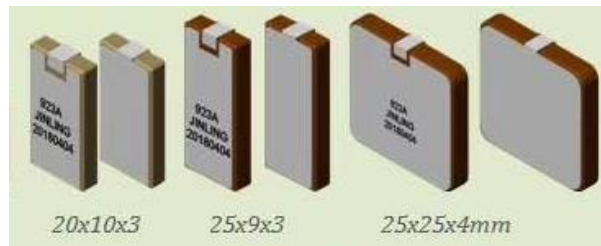
Electrical Specification



915Mhz Patch Antenna

3. Surface Mount Antenna

Surface Mount Antenna can reduce the manufacturing cost while maintain the similar performance as the through hole counterpart. The surface mount version size ranges from 20mm X 10mm to 30mm X 30mm.



Customized size can be accomplished per customer request.

Part Number	Size (mm)	Frequency (MHz)	SWR@915Mhz
JDAF915X3030H	30x30	902-928	< 2:1
JDAF915X2525H	25x25	902-928	< 2:1
JDAF915X2509H	25x9	902-928	< 2:1
JDAF915X1818M	18x18	902-928	< 2:1
JDAF915X2010M	20x10	902-928	< 2:1
JDAF915X1309M	13x9	902-928	< 2:1